



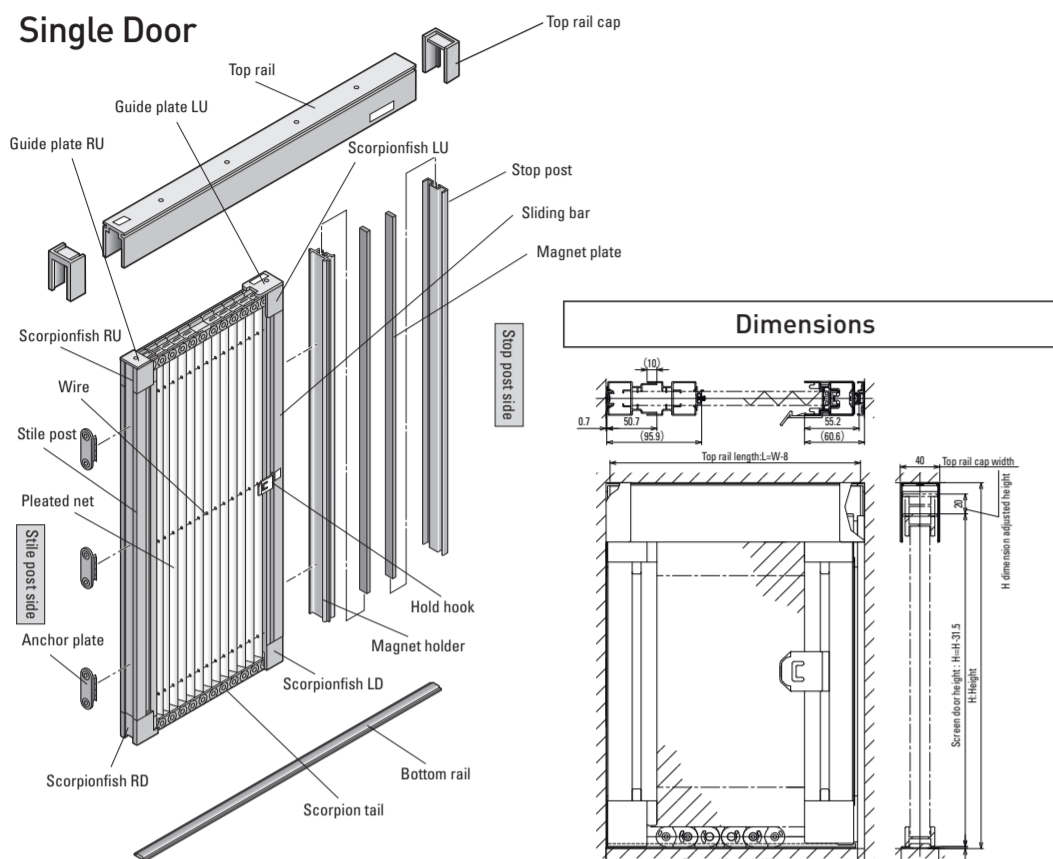
メタコプリーツネット きゃたぴら網戸2 Metaco Pleat Net Caterpillar 2

88L Installation

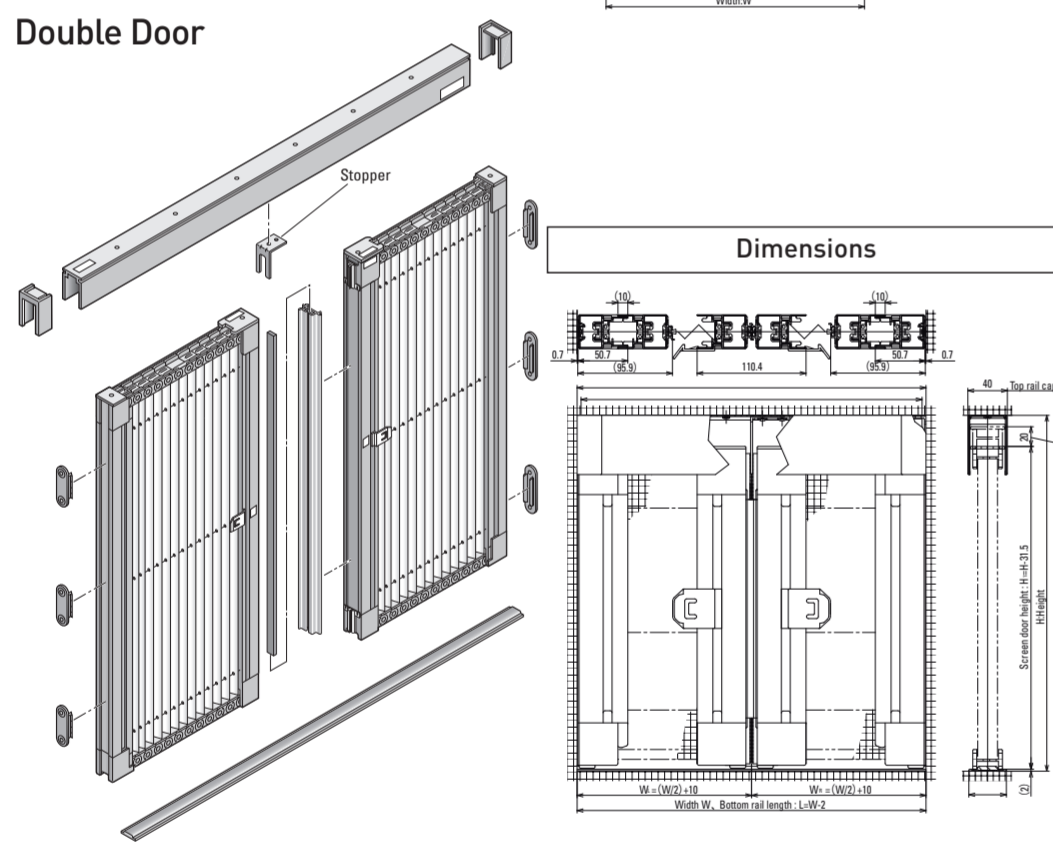
Thank you for purchasing the pleated insect screen.
Please read these instructions carefully and follow them when installing the screen door. After installation, keep the instructions in a safe place so you can refer to them when necessary.

Configuration and part names

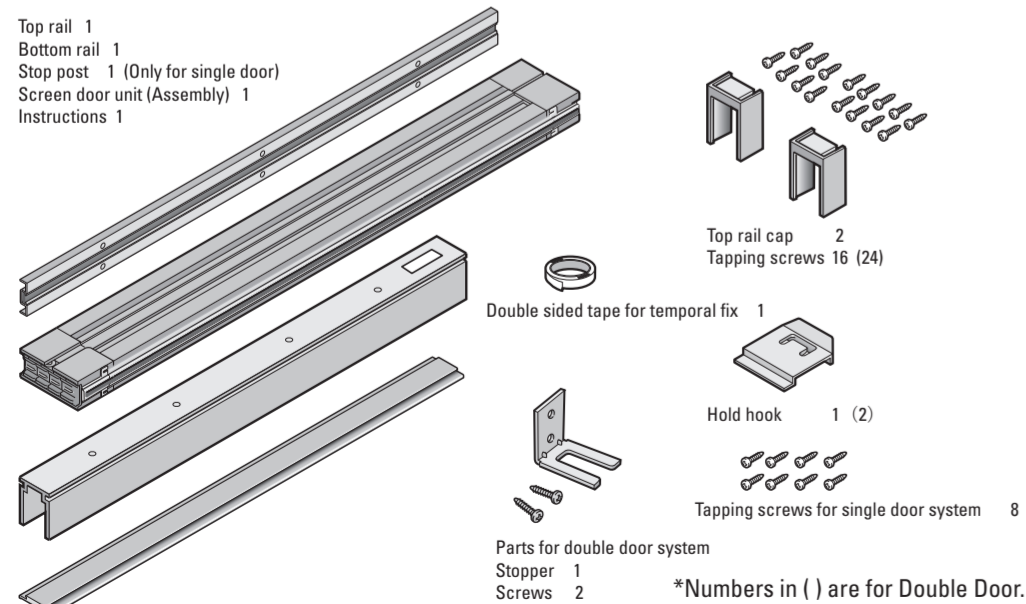
Single Door



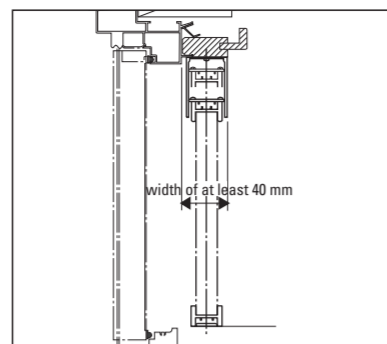
Double Door



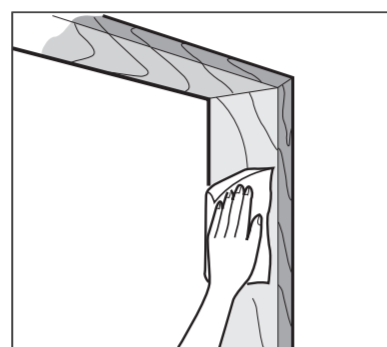
Package contents



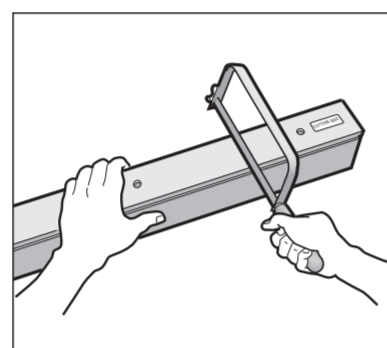
Installation



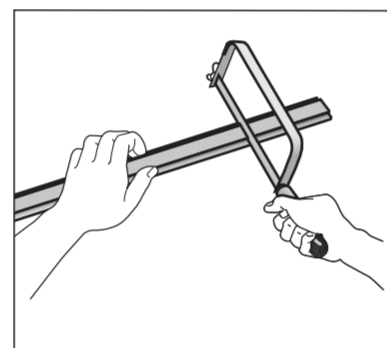
1. Reconfirm the installation location.
Choose an install location at which the screen door can be opened and closed unimpeded.
① Choose a place where the rail and floor is flat, with a width of at least 40 mm for installation.
② Make sure doorknobs and door closers will not interfere with the screen door after it is installation.
③ Make sure the facing surfaces at the opening are parallel and all four corners are right-angled.



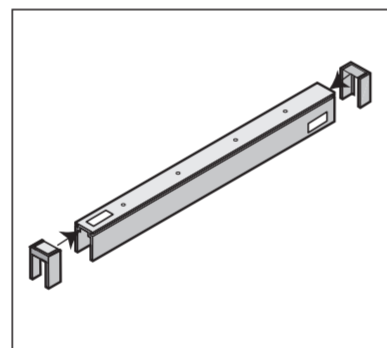
2. Clean the installation surfaces.
Wipe away all oil residue, dust, water, sand and mud from the installation surface and the floor and then wipe these surfaces with a dry cloth to ensure that the product is installed properly.



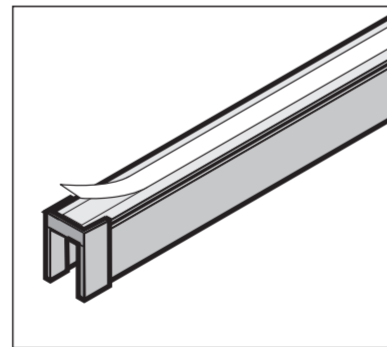
- Even though the product is made to measure, if the install location is still narrower than the product, cut the Top Rail and Bottom Rail to match installation width.
3. Cut the Top Rail
Cut the Top Rail to match the installation width.
Cut dimensions: installation width W-8mm
Note
Cut the Top Rail where the sticker is placed.
Do not warp the Top Rail as this may affect operation.



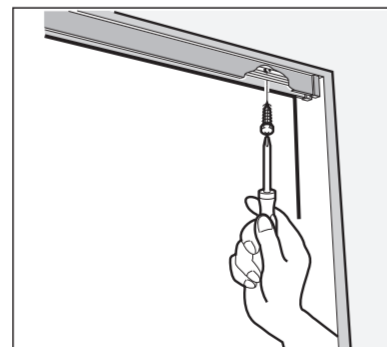
4. Cut the bottom rail.
Cut the bottom rail to match the installation width.
Single door system Cut size: Installation width - 9mm
Double door system Cut size: Installation width - 2mm
Note
Do not cut the rail too short, as this may affect performance.



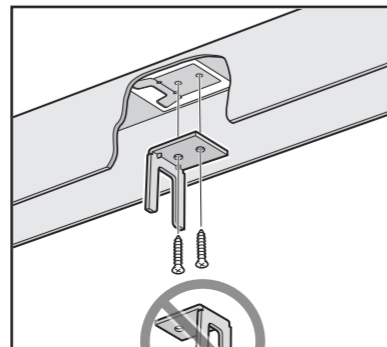
5. Insert the top rail caps.
Insert the top rail caps on the ends of the top rail.



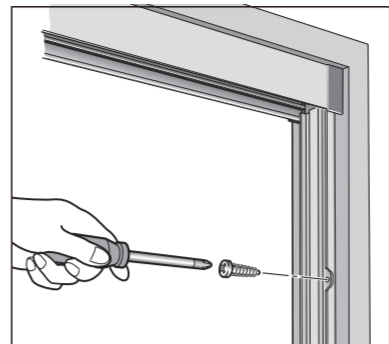
6. Install the Top Rail
① Place the double-sided tape on the Top Rail and carefully peel back the non-adhesive side. Check the Top Rail Caps are fixed tight. Attach the Top Rail in line with the install location, in the center between the frames.
Note
Do not tilt nor attach the Top Rail diagonally as this may affect open/close operation.



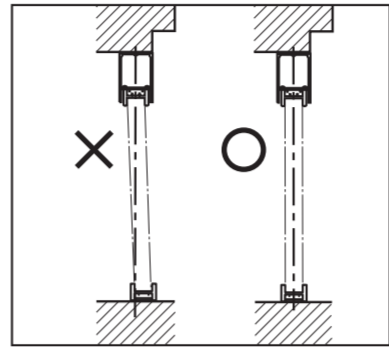
- ② Fix the Top Rail with Tapping Screws
Note
Do not screw too hard or it may damage the Top Rail.
Pull the Top Rail Caps out to cover the gaps.



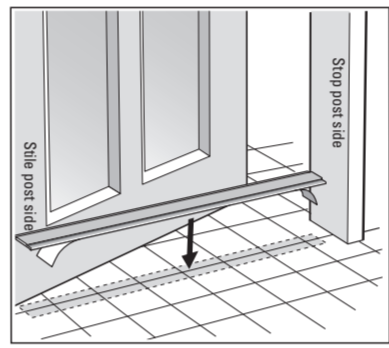
- Install Stopper (for Double Doors)
③ Install Stopper at the meeting point where both screen doors meet.
A sticker is placed in the Top Rail showing how the Stopper should be installed. Screw fix the Stopper according to this sticker.
ATTENTION) If you have cut the Top Rail to match installation width, the Stopper install location will change. Reconfirm the Stopper install location and re-make a screw hole with a ϕ 4.5mm drill.



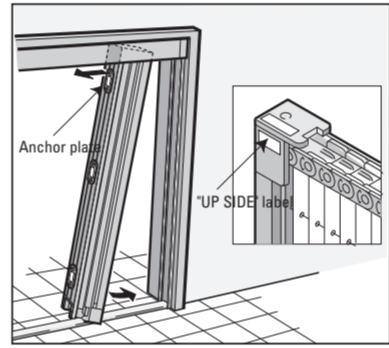
7. Installation of stop post with magnet
Note
You can check which is the top or bottom with the sticker.



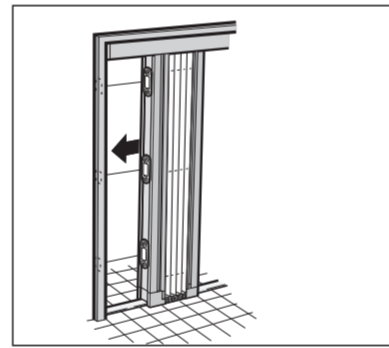
8. Install the Bottom Rail
Mark the floor where the Bottom Rail is to be placed.
Note:
Make sure the Top Rail and the Bottom Rail centers are aligned.
Failure to do so may affect open/close operation.



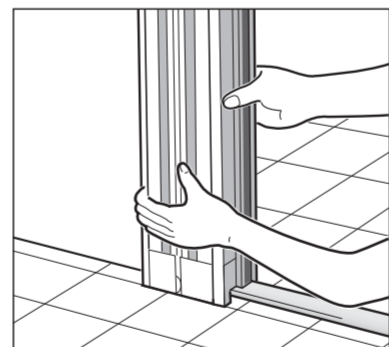
- Carefully peel back the non-adhesive side of the double-sided tape on the Bottom Rail.
Attach the Bottom Rail to the stile post side of the floor according to the mark, leaving some space on the stop post side.
Note:
Attach the Bottom Rail properly according to the mark. Try not to double stick as this may destroy the adhesion. 24hours is required to the adhesive work sufficiently effective.



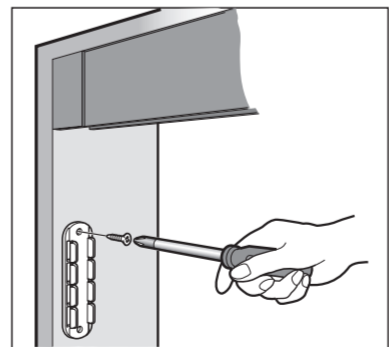
9. Attach the Screen Door Unit
① Remove the binding tape from the screen door unit.
② Make sure the Screen Door Unit is not upside down. The upper side is labeled with a "UPSIDE" sticker.
③ Peel back the non-adhesive side of the double-sided tape on the anchor plates that are attached to the Stile Post of the Screen Door Unit.
④ Tilt the Screen Door Unit and insert into the Top Rail, on the Bottom Rail.



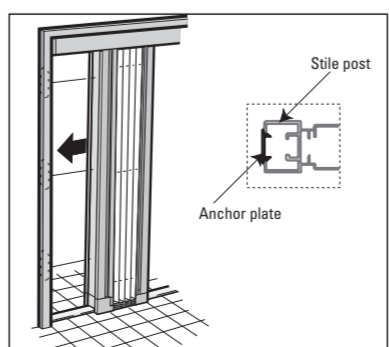
- ⑤ Slide the Screen Door Unit towards the door installation frame keeping the bottom of in contact with the Bottom Rail. Press firmly to attach in place.
Note
Make sure the Screen Door Unit does not come off of rail. Do not open/close the Screen Door Unit until the installation in complete, as this may damage the Screen Door Unit.



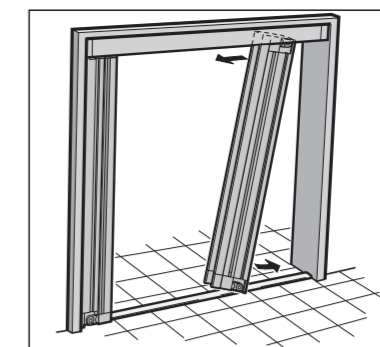
10. Screw fix Anchor Plates
Hold the Stile Post (at bottom or top) with both hands and pull out the Screen Door Unit from the door frame. Screw fix the anchor plates to the door installation frames.



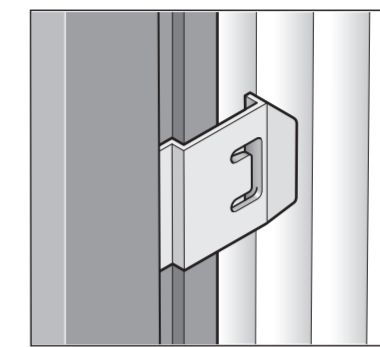
- Screw fix the Anchor Plates.
Note
Screw fix by hand; do not use electric screwdriver.
Do not screw too hard or it may break the Anchor Plates.



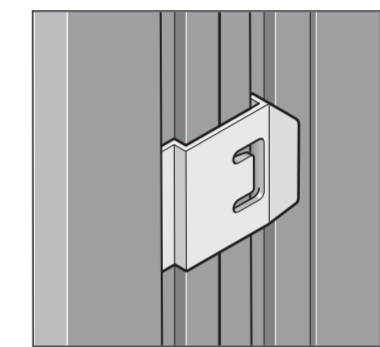
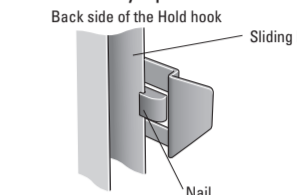
- With the same procedure in step9, check the Screen Door Unit does not come off of rail and press firmly towards the door installation frame making sure the Anchor Plates fasten in place.



- For Double Door
Attach another screen door unit in the same procedures.



11. Hold hook setting
① Peel the white tape (of the double sided tape) off the back side of the Hold hook and stick it on the Slide bar with its nail being hooked. Please try to stick it on some position inside the house for easy operation.

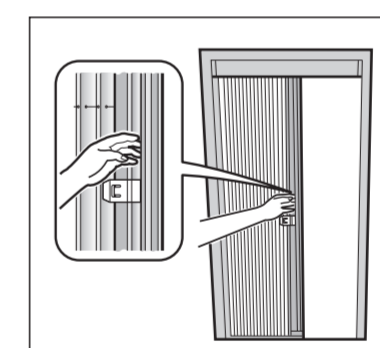


- ② When you close the insect screen and hook the Hold hook on the Stile post, the Stile post and the Slide bar will be put together so that the pleated net goes out of sight for better look.

This completes the installation procedure. Before officially handing over the product to the customer, check the following items.

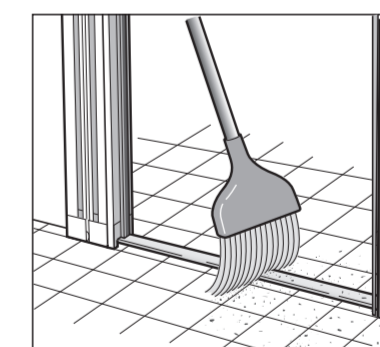
- ① Open and close the screen door several times and make sure the screen door can be operated with no problems.
 - ② Make sure the top and bottom rails have been installed properly.
 - ③ Check parts for scratches, bending or warping.
 - ④ Check to make sure the stile post and anchor plates are fastened together securely.
 - ⑤ Make sure there is no gap between the sliding bar and the door stop.
- If there are no problems, officially hand over the product to the customer. If there are problems, check the "Troubleshooting" section and make the appropriate adjustments, or, depending on the nature of the problem, call your dealer.

Opening and closing the screen door



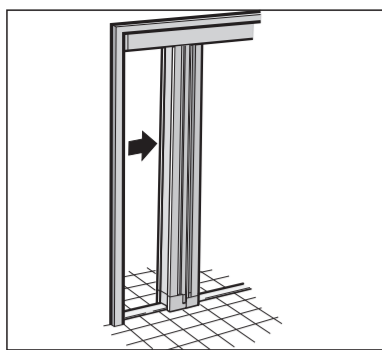
- Operate the screen door by holding the center of the Slide Bar.
Note
If you operate the screen door by holding extreme positions (ie: top of the Slide Bar or bottom of the Slide Bar), this may affect its smooth operation.

Regular Care



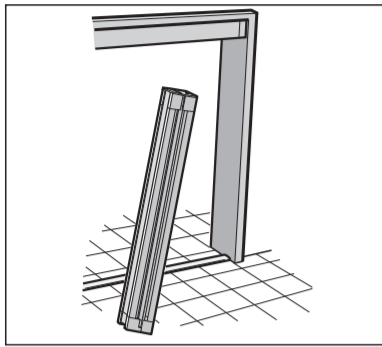
1. Clean the Bottom Rail and its surroundings
Clean the Bottom Rail and its surroundings thoroughly to remove all dirt and foreign objects.
Sand, dirt, mud, pebbles,...etc. may cause friction increase resulting in wear and/or damages to the screen door. This may affect the open/close operation.

(To be continued)

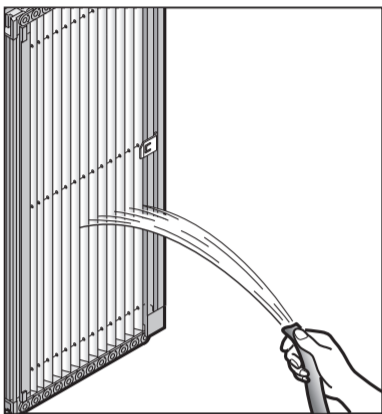


2. Remove the Screen Door Unit
The Screen Door Unit can be removed easily and rinsed when it is dirty. Use a soft brush or the like to clean the pleated net and the Scorpion Tail.

① Hold the Stile Post (at bottom or top) with both hands and pull out the Screen Door Unit from the door frame.



② Tilt the Screen Door Unit and remove from the Top Rail.



3. Rinse the Screen Door Unit

① Pull the Screen Door Unit out so it is fully extended and place it upright against something.

② Rinse the Screen Door Unit and clean with a soft brush or the like.

Note Do not damage the pleated net or wires.

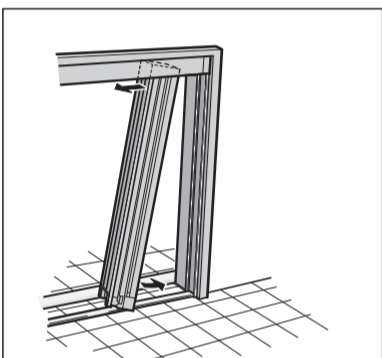
If the Screen Door Unit is very dirty, use a mild household detergent.

Never use paint thinner, benzene or other organic solvents.

4. Dry the Screen Door Unit

After rinsing the Screen Door Unit, dry all parts thoroughly.

Note: Replacing the Screen Door Unit wet may affect open/close operation, make it easier to catch sand, dirt, mud and the like.



5. Re-attach the Screen Door Unit

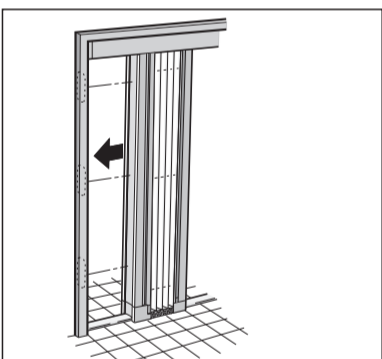
① Close the Screen Door Unit.

Note: Make sure the top Scorpion Tail retracts properly.

② Make sure the Screen Door Unit is not upside down.

The upper side is labeled with a "UPSIDE" sticker.

③ Tilt the Screen Door Unit and insert into the Top Rail, on the Bottom Rail.



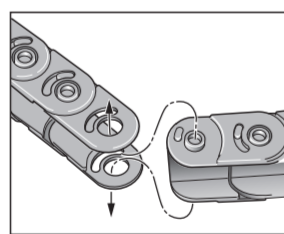
④ Check the Screen Door Unit does not come off of rail and press firmly towards the door installation frame making sure the Anchor Plates fasten in place with an audible "click".

Note

After re-attaching the Screen Door Unit, pull the Stile Post to confirm the Screen Door Unit is properly installed.

Check the Scorpion Tail retracts properly and does not come apart.

In case the Scorpion Tail comes apart, it can be reconnected easily fitting them together as shown below.



Safety Instructions

WARNING: Failure to follow these safety instructions could result in fire, serious injury or even death.

① Do not place any heating appliances near or by the screen door as this can cause fire.

② Do not place heavy objects, lean against, push hard or apply strong impacts to the screen door otherwise it may come off and fall down and cause serious injury.

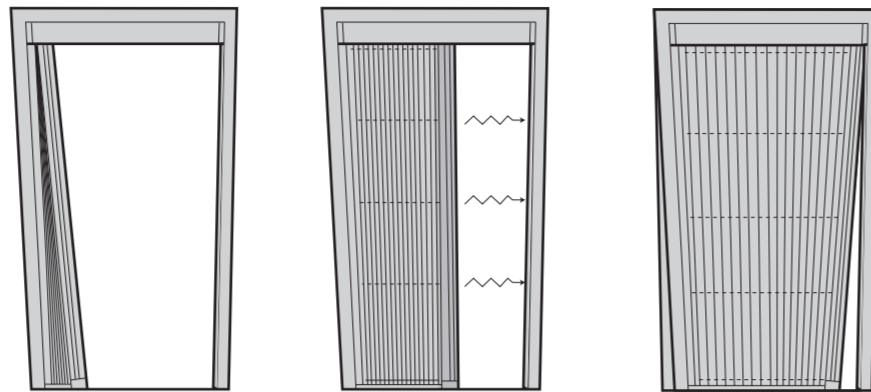
③ Store or retreat the screen door into the Stile Post on a windy day otherwise it may fall down and cause damage or serious injury.

Note: Failure to follow the remarks below may cause serious injury or could damage your household effects around the screen door.

① Do not disassemble, deform or make any alterations to the screen door or to its parts. Do not use oil-based lubricant as it may catch dirt, mud, sand, etc. and may cause damage.

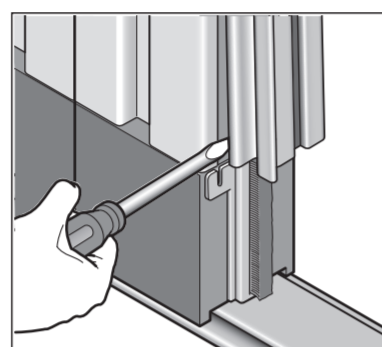
② Check the screen door is completely and properly retracted into the Stile Post when storing or it could deform the net making irregular lines causing the screen door work improperly.

Q1 The Slide Bar is tilted and does not work smoothly.
The Slide Bar and the Stile Post are not parallel and the pleated net does not fold in/out properly.
The screen door is too heavy (or too light) to operate.



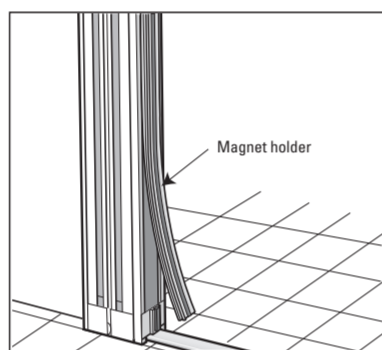
A1 Adjust the wires. (See "Wire Adjustment")

Wire Adjustment

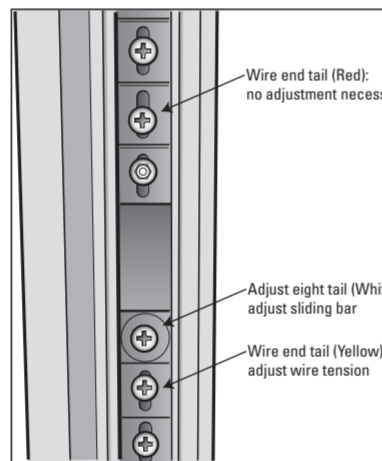


① Remove the Magnet Holder from the Slide Bar to adjust the Slide Bar inclination by adjusting the "adjust screw" inside the Slide Bar.

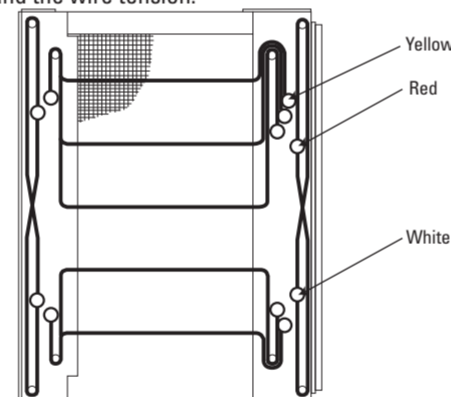
② Insert a screwdriver into the lower gap between the Magnet Holder and the Slide Bar, lift and remove the Magnet Holder.



③ Pull the Magnet Holder from the bottom all the way to the top to remove completely.



④ Check the screw positions that adjust the Slide Bar inclination and the wire tension.

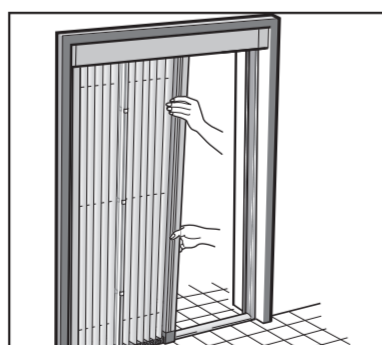
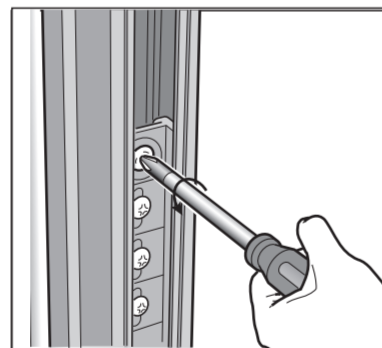


2. Adjust the inclination of the Slide Bar.

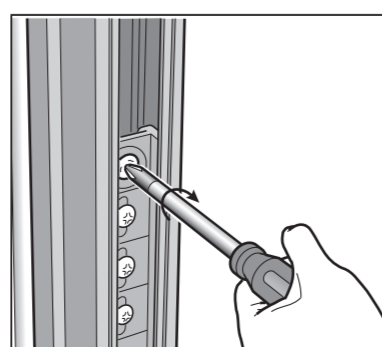
① Loosen the screw on the white Adjust Eight Tail.

Note

Loosening the screw too far will cause the nut to come off.



② Adjust the inclination of the Side Bar so it is straight.



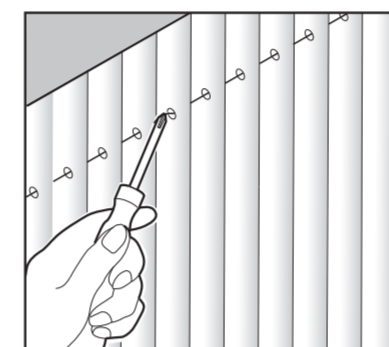
③ Tighten the screw on the white Adjust Eight Tail.

Note

Screw by hand; do not use electric screwdriver.

Do not screw too hard or it may break the component parts.

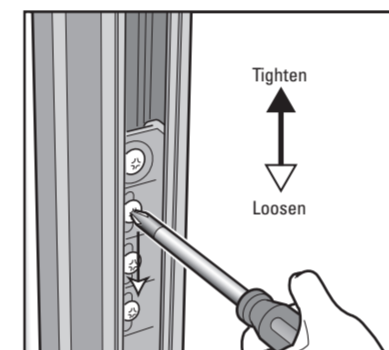
After adjusting the Slide Bar inclination, check the tension on all wires running through the pleated net and adjust if necessary. (See step 3 "Adjust the wire tension")



3. Adjust the wire tension.

① If the wires running through the pleating net are too taut or too loose, the screen door will be too heavy (or too light) to operate. Ideally, the wires should not be subjected to any tension.

② To check the wire tension, insert the tip of a screwdriver or other object from the bottom and pull the wire out gently. Adjust each section of the wire to perfect tension, not too tight nor too slack.

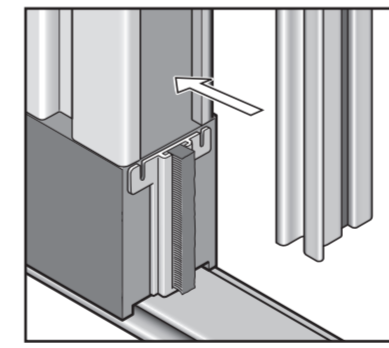
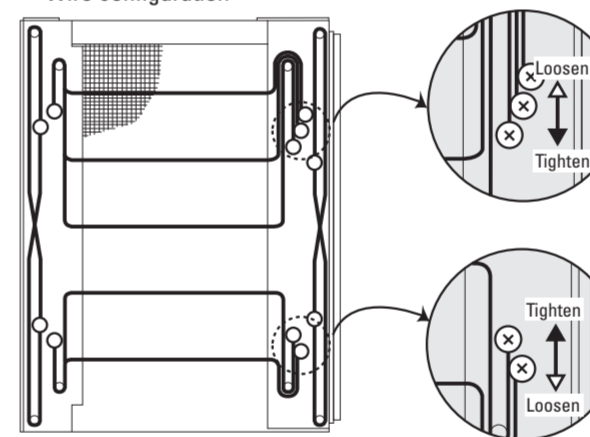


③ Loosen the screw on the Wire End Tail (Yellow). Refer to "Wire Configuration".

④ Tighten screws after adjusting wire tension.

⑤ Move the Slide Bar left/right and check the screen door moves smoothly and easily. Repeat adjustment if needed.

Wire configuration

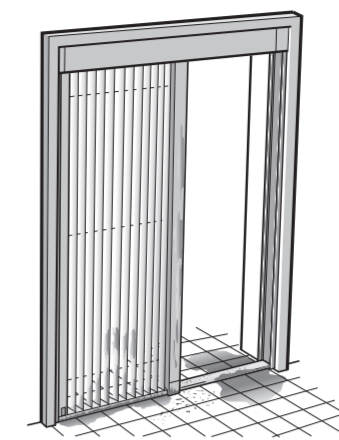


4. Re-attach the Magnet Holder

Re-attach the Magnet Holder to the Slide Bar when the adjustment is complete.

Fix the Magnet Holder along the groove at the bottom of the Slide Bar by pushing in.

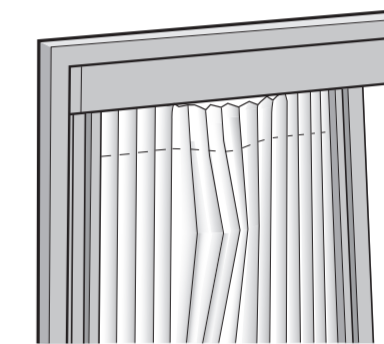
Q2 There are small pebbles, sand, dust and mud on and around the Bottom Rail, preventing the screen door from moving smoothly.



A2 Clean the Bottom Rail and its surrounding area thoroughly. (See "Regular Care")

Q3 The Scorpion Tail came loose and sagged down when I tried to keep the screen door open in very windy or gusty days.

Q4 The Scorpion Tail came loose and sagged down when I pushed the top of the net or when an object struck the net.



A3-A4 Put back the Scorpion Tail to its proper position at the top of the pleated net making sure the screen door does not fall.

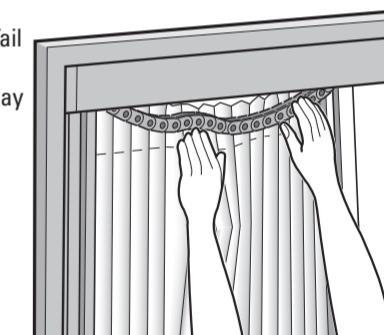
WARNING: Do not move the Slide Bar by force. This is dangerous, as the screen door may fall.

If the Slide Bar should fall, remove the Screen Door Unit from the frame, put it back together properly and re-attach.

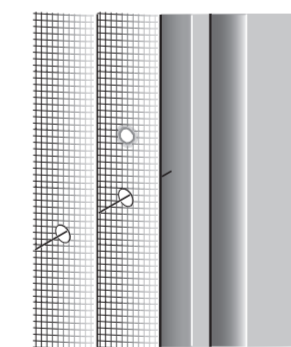
Note

Consult your dealer in case the Scorpion Tail comes off into pieces.

Connecting the Scorpion Tail improperly may cause failure in operation.



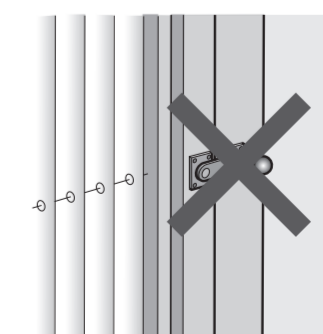
Q5 I accidentally cut the pleating net or the wire with a knife, made a small hole with a cigarette... etc.



A5 Due to the product's configuration, the pleated net cannot be replaced by itself. The entire Screen Door Unit needs to be replaced. Consult your dealer for best alternatives. Small holes may be covered with commercially available patches.

Q6 An object fell against the Slide Bar and Stile Post denting them, and now the Slide Bar will not move.

Q7 I screwed a handle or lock to the Slide Bar, and now the Slide Bar will not move.



A6-A7 The screen door works by retracting the Scorpion Tail inside the Slide Bar and the Stile Post. Do not drill holes to the (aluminum) profiles and/or screw on handles or locks. If you have attempted to do this and the screen door does not work even when the screws are removed, or if the profiles are dented, you will need to replace the entire Screen Door Unit. Please consult your dealer for details.