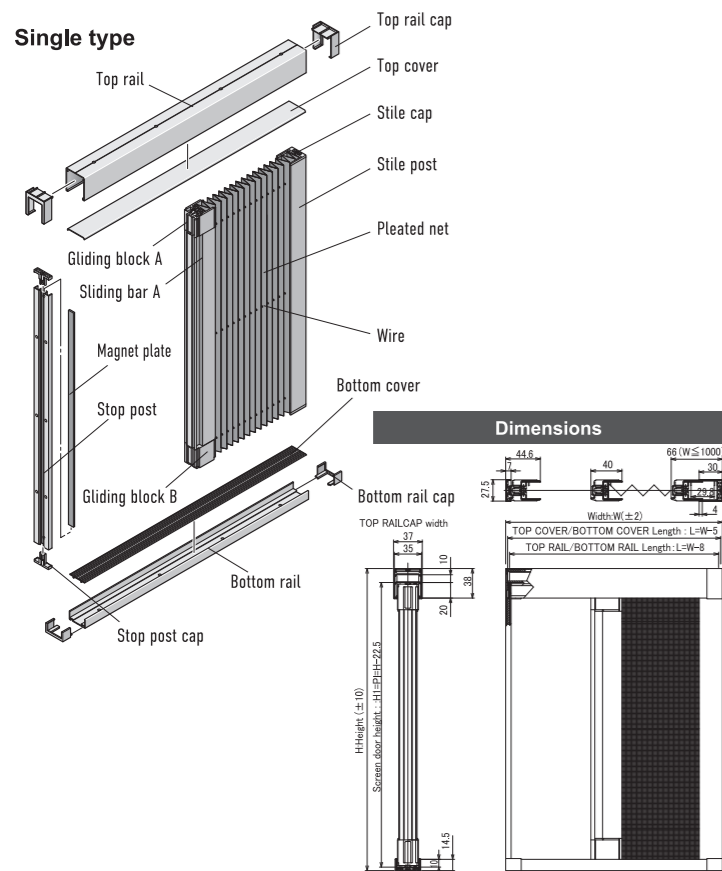


METACO Metaco Pleat Net Side Fix Installation Guide

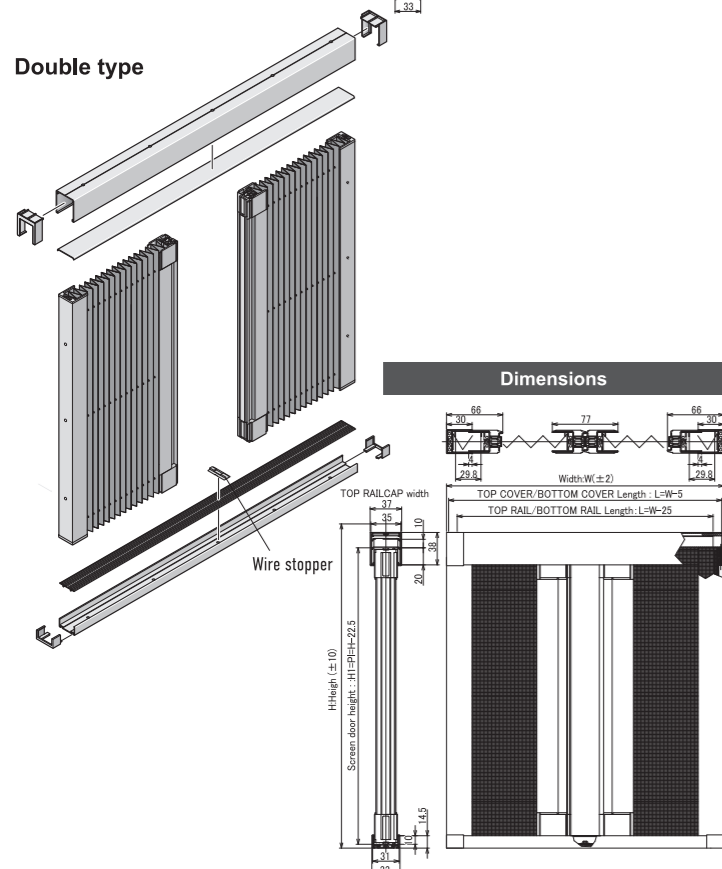
Thank you for purchasing a Pleat Net Side Fix. Please read carefully the installation manual for the proper installation.

Configuration and part names

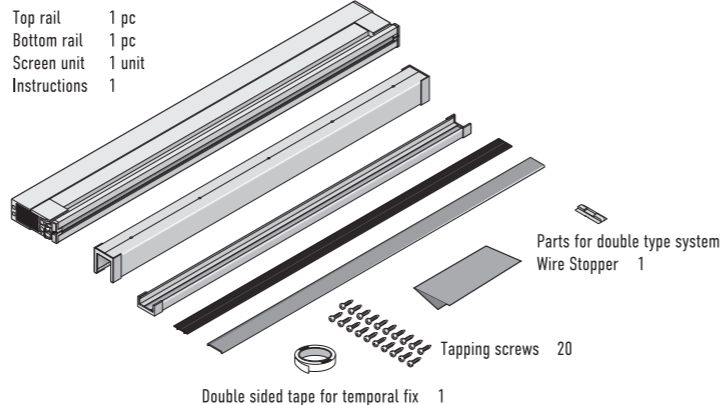
Single type



Double type

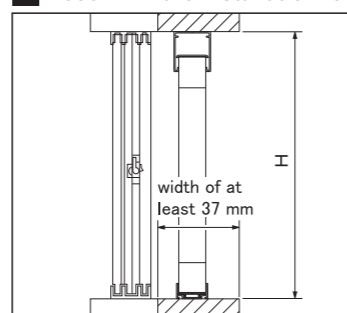


Package contents



Installation

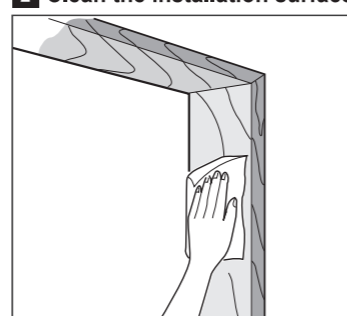
1 Reconfirm the installation location.



Find the installation position so that there is no obstacle for the close & open operation of the insect screen.

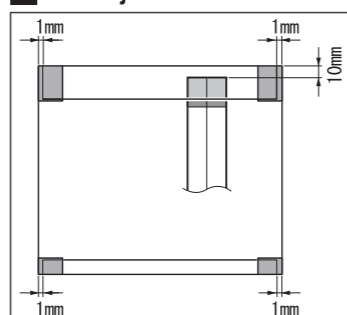
- Check if there is no obstacle on the frame or at the floor and if there is more than 37mm space for the installation.
- No obstacle interferes with the insect screen installed.
- All 4 frames are right-angled at the opening.

2 Clean the installation surfaces.



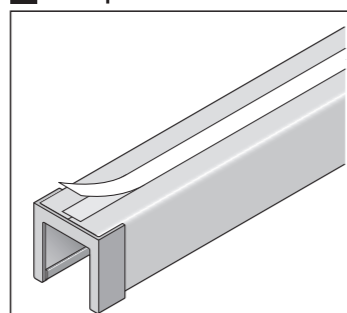
Wipe away all oil residue, dust, water, sand and mud from the installation surface and the floor and then wipe these surfaces with a dry cloth to ensure that the product is installed properly.

3 Size adjustment

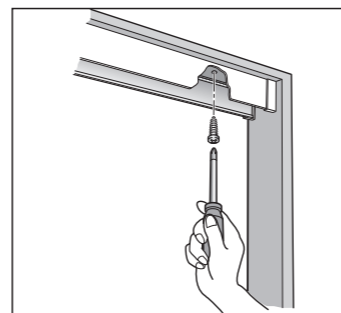


You can adjust 10mm (only minus 10mm but plus 10mm) in height .

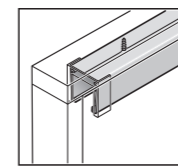
4 the top rail



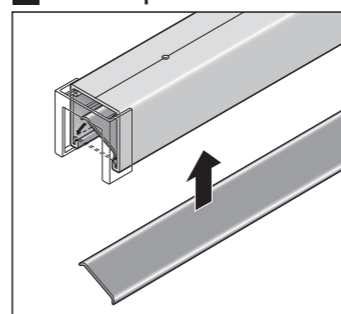
- Provisionally stick the double-sided tape on top of Top rail and peel off the white tape. Check if Top rail caps are deeply inserted and stick Top rail on the ceiling provisionally so that the space on the left and right side is equal.
Note) Don't tilt or don't install the insect screen diagonally. It may affect the close & open operation.



- Fix the Top rail with tapping screws.
Note) Do not screw too tightly till Top rail is bent. Push the Top rail caps onto the frames on both sides till no space is found.

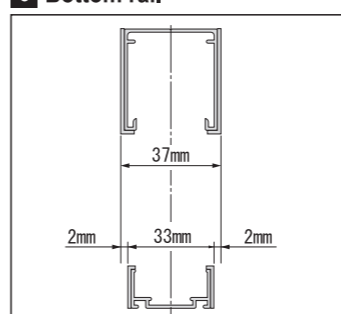


5 Install Top rail cover

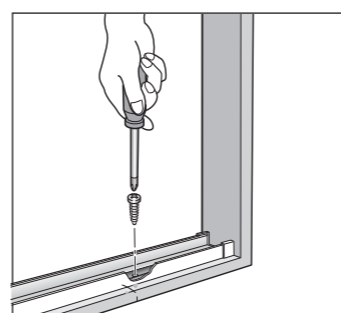


- Cut the Top cover with scissors so that the length is the installation width minus 5mm. Note) Do not cut it too short. Then there will be space between Top rail and Top rail cap.
- Insert Top rail cover inside Top rail.

6 Bottom rail

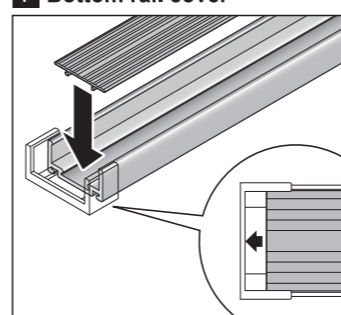


- Fix Bottom rail in line with Top rail as shown in the left figure.



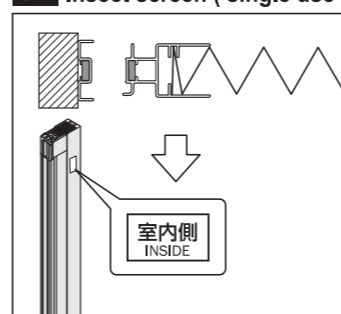
- Fix it with tapping screws.
- Push Bottom rail caps onto the frames on both sides till no space is found.

7 Bottom rail cover

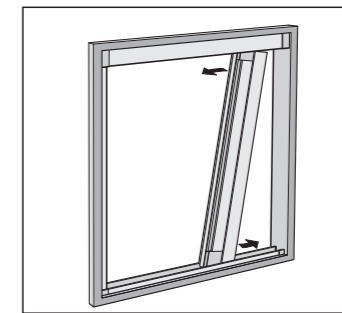


- Cut Bottom cover with scissors so that the length is the installation width minus 5mm. Note) Do not cut it too short. Then there will be space between Bottom rail and Bottom rail cap.
- Push Bottom cover on Bottom rail till it surely clicks so that no space between Bottom rail and Bottom rail cap.

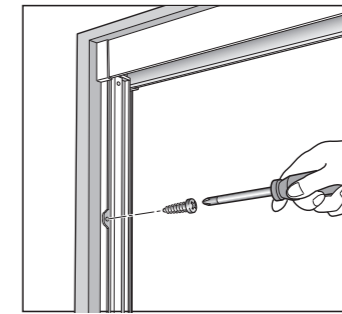
8-A Insect screen (single use)



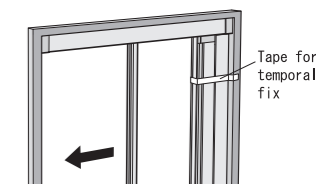
- Confirm which side is Stile post side and which is Slide bar side.
Note) You can decide which is which as there is no Top side or Bottom side on this insect screen. There is no problem if you use whichever side. The side on which you see the "INSIDE" sticker is installed towards inside the room.



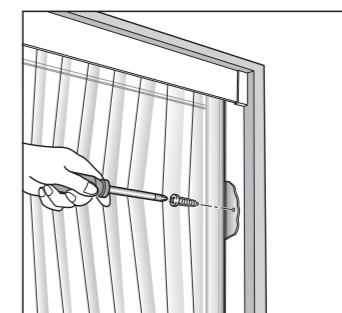
- Tilt the insect screen and insert it diagonally.



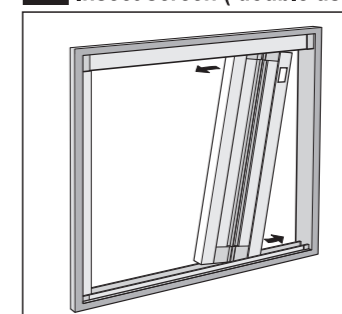
- Use the double-sided tape to stick it provisionally so that Stile post doesn't fall down and fix Stop post with tapping screws.



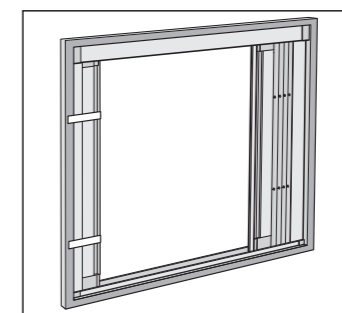
- Take the tape off the insect screen, close it some 20 to 30cm and then fix Stile post with tapping screws.



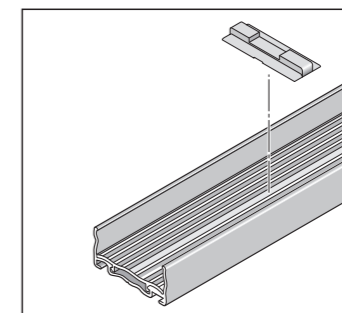
8-B Insect screen (double use)



- Confirm that "INSIDE" sticker faces inwards the room. Then tilt the insect screen and insert it diagonally.



- Fix both Stile posts with tapping screws. As shown in the left figure, use the tape so that the insect screen on the other side doesn't fall down.



- Stick Wire stopper over the wire at the center of Bottom rail.

METACO inc. HEAD OFFICE

203 Nagatani Hill Plaza Roppongi, 7-3-8 Roppongi, Minato-ku, Tokyo, 106-0032 Japan TEL 81-3-5414-2506 FAX 81-3-3403-6498 URL http://www.metaco.tokyo

Continued on the back page.

Final confirmation on the installation completion

The installation is complete. Please confirm the following points before its delivery to clients.

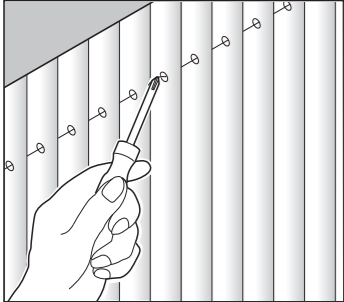
- ① Open and close the insect screen several times and check if it operates normally.
- ② Check if there is any problem with the installation of Top rail and Bottom rail.
- ③ Check if there is any scratch or bend on aluminum profiles.
- ④ Check if there is any unnecessary space between aluminum profiles and frames etc.

If you find any defectives, adjust it yourself or contact a sales distributor.

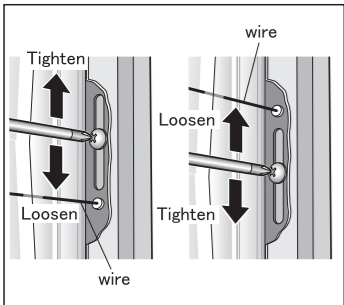
Adjusting the Wire Guide

How to adjust the wire tension

Note) Wire tensions are adjusted and confirmed before dispatching. Do not adjust the wire tension unless you find the Sliding Bar tilting or any other problem with the wire.



- ① As shown in left figure, use the Philips driver to check the wire tension. Use the wire diagram below to adjust the wire tension.



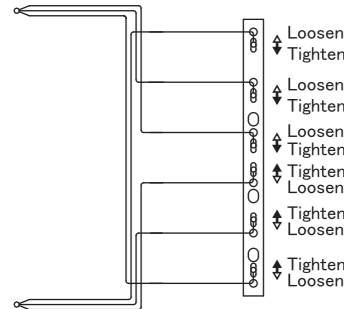
- ② You will find the wire adjusting screw on the Stile Post. Use Philips driver to loosen the screw. Move it upwards or downwards to change the wire tension.

- ③ Check the wire tension with Philips driver again. Tighten the wire adjusting screw to fix the wire tension.

- ④ Open and close the unit and check the movement and operation.

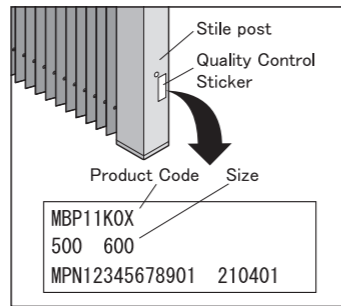
For double door, adjust it with either Stile Post.

Wire Diagram



Note) When adjusting the wire tension, do not loosen the wire adjusting screw too much. Screw nut and wire adjusting screw may come off and it will be hard to repair. These parts off from the unit when adjusting is not under warranty claim.

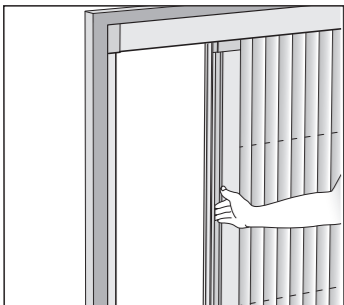
Replacing the unit



You can replace the main unit when you find the net or wires are cut.

When purchasing the screen unit only, inform the product code as well as the size of the unit. Quality Control Sticker can be found on the side of Stile Post. Remove the unit to find the details.

Opening and closing the screen unit



Hold the center of Sliding Bar and perform the open & close operation.

Note) If you hold it too high or too low, it may affect the operation.

Regular Care



Clean the insect screen.

Wipe the screen gently with damp cloth.