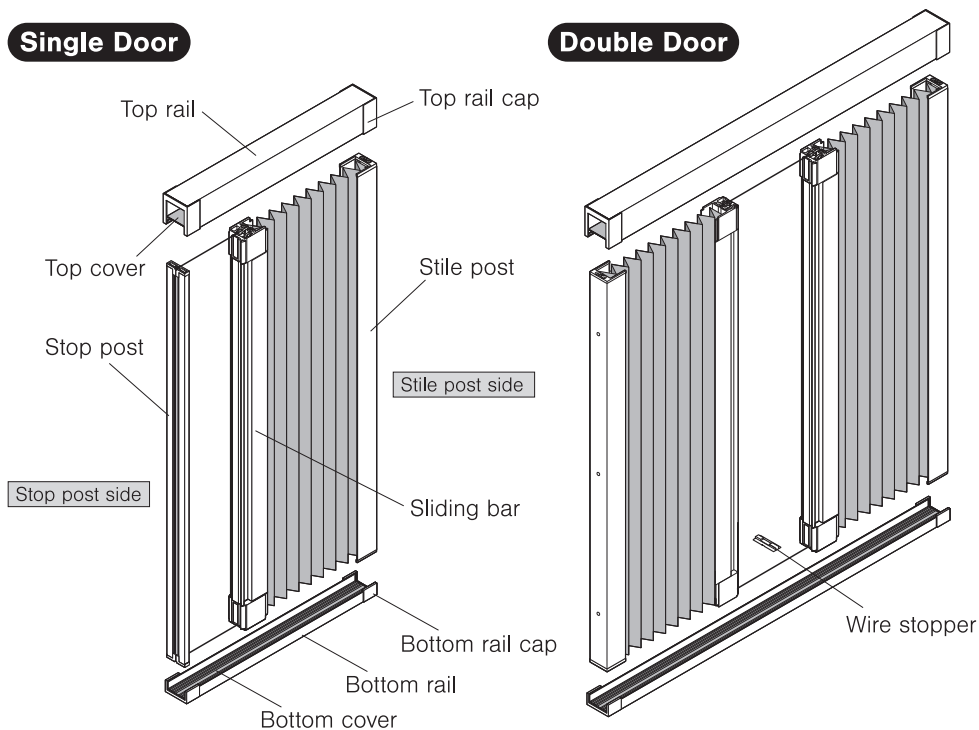


Configuration

Single Door

Double Door

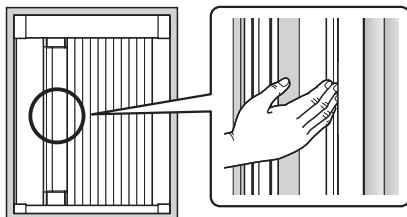


Thank you for purchasing Metaco Pleat Net Side Fix. Please read this instruction manual thoroughly before installing the product and keep this manual for future reference.

©METACO Inc.

Opening and closing the screen door

Hold the center of Sliding Bar and perform the open & close operation. If you hold it too high or too low, it may affect the operation.



Caution



Do not operate while hands are on the bottom rail or any place other than sliding bar.

Your hands or fingers may get caught during operation and result in injury.

Do not operate with strong force.

Product may be derailed and come off if operated with strong force and result in injury.

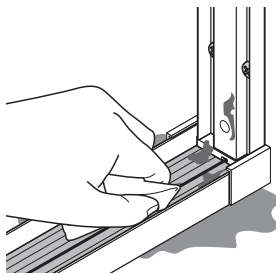
Regular Care

Clean the Bottom Rail

Remove dust and debris from the Bottom Rail to keep the smooth movement.

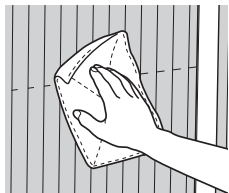
NOTICE

Remove dust and debris from the Bottom Rail to keep the smooth movement.



Wash and Clean

Open the unit and lean it against the wall. Clean and wipe the place where you are pouring the water on. Wipe it gently with a very soft brush. After finish cleaning the unit, let it all dry before attaching the unit back.



NOTICE

Do not use detergent for cleaning the product.

Color may change and damage the product. Do not use thinner and benzene.

Do not use wire brush or any steel bristle to rub and clean the product.

It may result in product damage. Use soft cloth to wipe out the dust and debris.

SAFETY CAUTION

For your own safety and damage to the property, this manual uses following symbols and indications. Please take a close attention and read the definition of each signs.

■ Failure to follow the operation may result in following.



Warning

Improper use may result in death or serious personal injury.



Caution

Improper use may result in personal injury or property damage.

■ Other symbols used in this manuals are defined as below.



You are not allowed to operate in described condition.



You must follow and operate as instructed.

Warning



Do not use any type of flame or fire near this product.

The product may catch a fire.

Do not lean yourself or any object against the product and never push with force.

Product may come off and may result in a fall accident.

Caution



Retract the insect screen, close the door and window when the wind is strong.

Product may come off and break resulting in injury.

Do not drop any hand tools or insect screen components.

Pay close attention not to drop the hand tools and insect screen components during installation. It may cause serious injury especially when working on high places.

Do not operate the product when the product is broken or not properly installed.

Product may come off and may result in a fall accident.

Do not operate while hands are on the bottom rail or any place other than sliding bar.

Your hands or fingers may get caught during operation and result in injury.

Do not operate with strong force.

Product may be derailed and come off if operated with strong force and result in injury.

Do not allow children to operate the product.

Hands and fingers may get caught with the product and result in injury. Do not let your children operate.

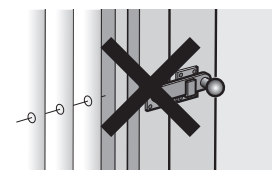
Do not let animals get close to the product.

They may scratch the net and pull the wire which may result in product breakdown. Animals can also get caught and injure themselves by the product.

Warranty

Hard to open and close the insect screen

Movement is affected by damaging or modifying the product. Do not drop or hit the product with hard object. Do not attempt to place a handle by tapping a screw in or any other way.



Caution

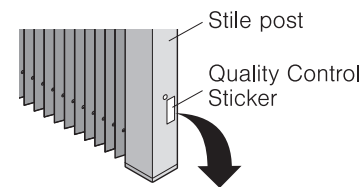


Do not disassemble or modify the product.

Product may breakdown and not work properly. Any modification to the product will be out of warranty.

Replace the screen door

You can purchase the screen door only when it is damaged. Enter the product code and size listed in the quality control sticker on guide plate.



Code	MBP11K0X
Size (width, height)	500 600
	MPN12345678901 220401

year / month / day

Warranty

1. Warranty Period

Warranty Period - 2 years from manufacturing date. Manufacturing date is listed in the quality control sticker.

2. Warranty Guideline

Please contact your local distributor for more information on warranty.

3. Disclaimer

Defect due to improper use and any modification to the product.
 Defect due to installation done in improper location. Installing to a location that requires higher specification.
 Defect due to reinstalling the product to different location.
 Defect due to natural disaster, such as fire, earthquake, flood, lightning, other acts of Gods.
 Defect caused by animals.
 Quality control sticker is not attached.
 Improper use of product and used other than intended purpose.
 Defect and damaged caused by fraudulent or illegal acts. Contact your local distributor for information on support and service or any concern on warranty.

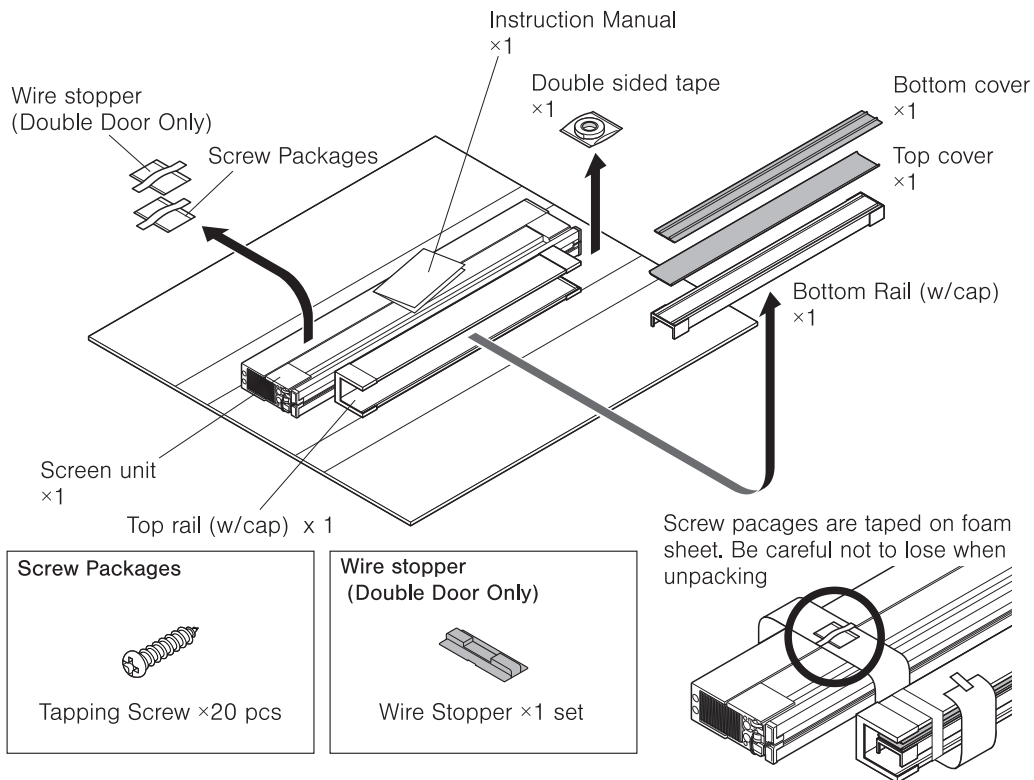
4. Supply and support on discontinued product.

5 years after product is discontinued.

Please contact your local distributor for more information on after service and support. See product configuration for name of each components. Product design and specification are subject to change without notice.

1 Before installation

Check if all parts are included.



Check the installing location

Before attaching the unit, check and confirm the measurement of installing location.
 Check if there is no obstacle on the frame or at the floor and if there is more than 37mm space for the installation.
 No obstacle interferes with the insect screen installed.
 All 4 frames are right-angled at the opening.

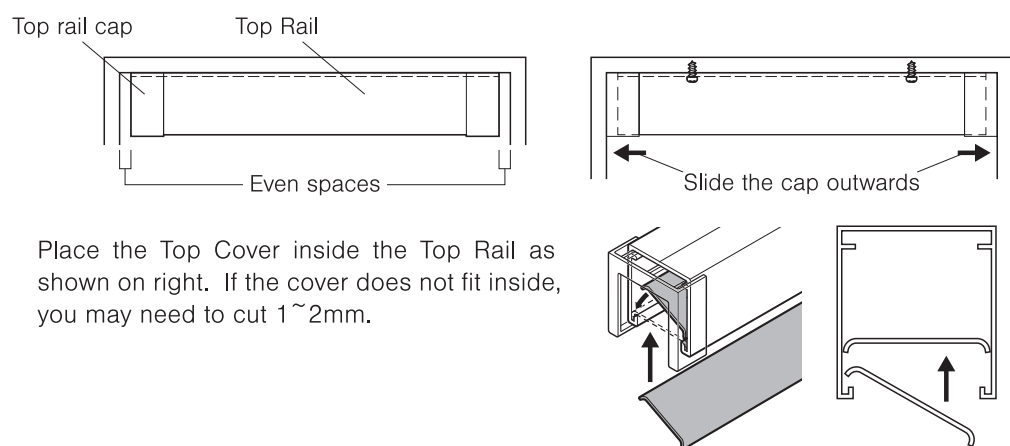
Clean all four sides and corners before installing the unit

Caution Always wear working gloves during installation.
 You may have a puncture wounds and cuts from aluminum profile edge without gloves.

2 Top Rail

Provisionally stick the double-sided tape on top of Top rail and peel off the white tape. Check if Top rail caps are deeply inserted and stick Top rail on the ceiling provisionally so that the space on the left and right side is equal.

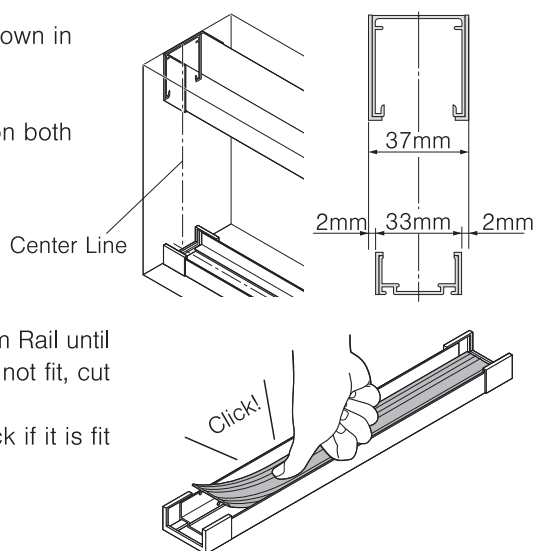
Fix the Top Rail with the tapping screw. Do not tighten the screw too much as it may damage the frame to bend. Slide the Top Rail Cap outwards so it touches the window frame.



Caution Do not drop any hand tools or insect screen components.
 Pay close attention not to drop the hand tools and insect screen components during installation. It may cause serious injury especially when working on high places.

3 Bottom Rail

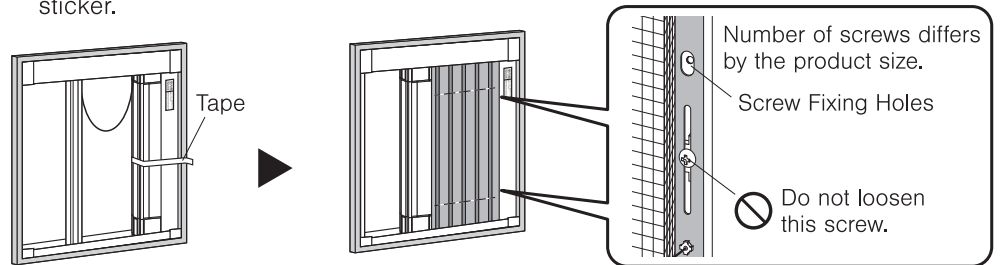
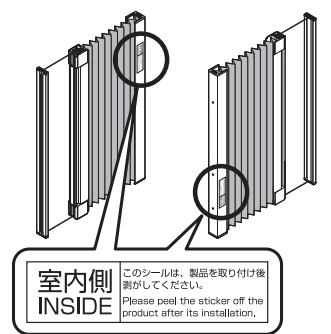
Fix Bottom rail in line with Top rail as shown in the left figure.
 Fix it with tapping screws.
 Push Bottom rail caps onto the frames on both sides till no space is found.



Place the Bottom Cover inside the Bottom Rail until it gives a click sound. If the cover does not fit, cut it 1~2mm.
 Press down the Bottom Cover and check if it is fit properly.

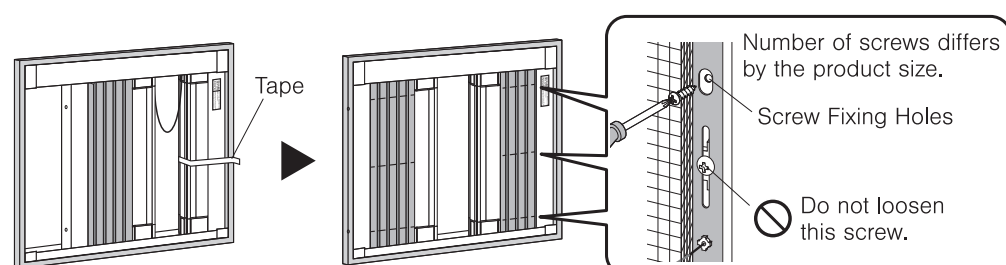
4-A Single Door

Choose the side you want your screens to retract.
 Tilt the unit and insert the screen unit between Top Rail and Bottom Rail. There is no upside down for this screen unit, however, "Inside Sticker" should face inside the room for further installation.
 Temporarily tape the retracting side as shown.
 Fix the Stop Post with screws.
 Remove the tape on retracting side and fix the unit with the Tapping screws. While fixing the unit, make sure not to loosen the wire adjusting screws.
 Once installation is completed, you can peel off this sticker.

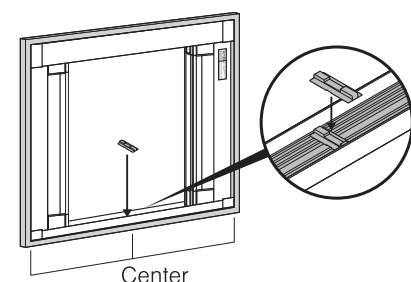


4-B Double Door

Tilt in the unit with "Inside Sticker" facing the room.
 Tape the unit as shown. Make sure that wires are not tangled and fix the Stile Post with the Tapping screws. Again, do not loosen the wire adjusting screw.



Place the wire stopper from above the wire at the center of bottom rail.
 Peel off the "Inside Sticker".



After installation

Check the screen unit is fixed properly to the frame by moving the Stile Post back and forth.

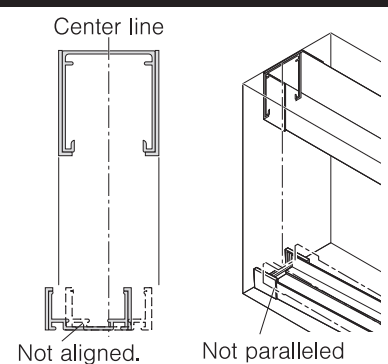
5 Inspection after installation

- Check the movement of the product after installation.
1. Confirm the movement by opening and closing the screen several times.
 2. Confirm the Top and Bottom Rail are installed correctly.
 3. Confirm if there are no damage to the aluminum profiles.
 4. Confirm if there are any gap between sliding bar and stop post when closed.

Adjusting Procedure

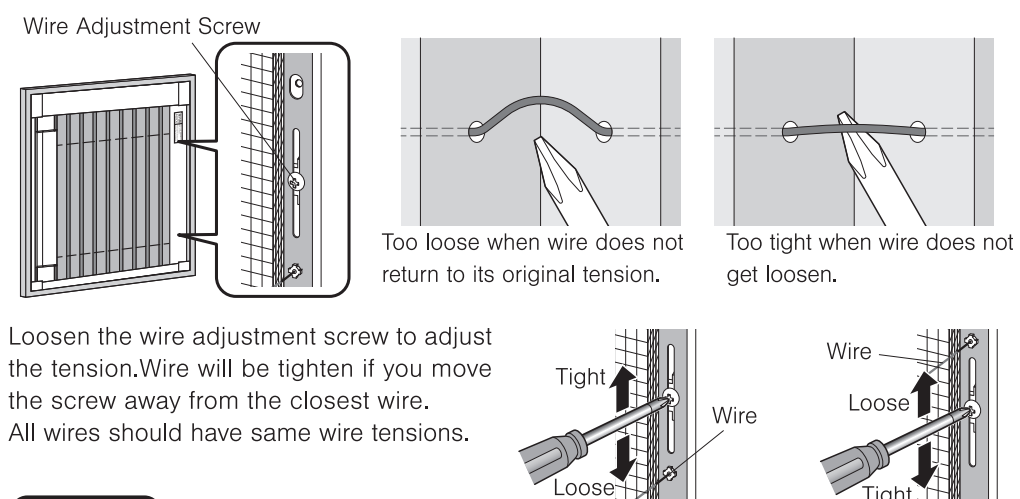
Stiff Screen Door

Follow the steps to solve the problem.
 Top Rail and Bottom Rail are not aligned center and not paralleled.
 → Remove the unit and reinstall it again.
 Remove dirt, dust and debris on Bottom Rail.
 → Clean and remove anything that is in the way of movement.



Adjust the wire tension

Check the tension of wire by using a screw driver. You will need to adjust the wire when you find it too loose or tight. Adjustment should be done when screens are closed and stretched.



Loosen the wire adjustment screw to adjust the tension. Wire will be tighten if you move the screw away from the closest wire.
 All wires should have same wire tensions.

NOTICE

Please handle it with care for the wire adjustment.

Screw nut may fall off if you loosen the wire adjustment screw more than 2 turns which may cause the product malfunction. Wire adjusting process is a very difficult process and we do not recommend when it is not necessary.
 Please keep in mind that malfunction caused by screw nut fall is out of warranty.